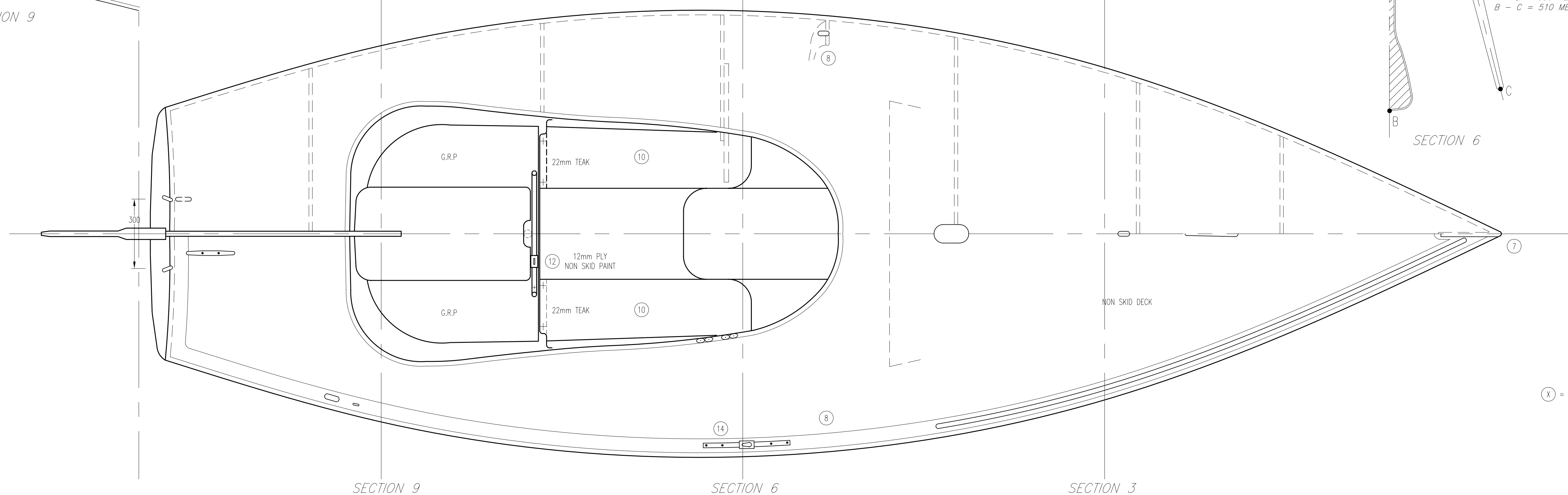
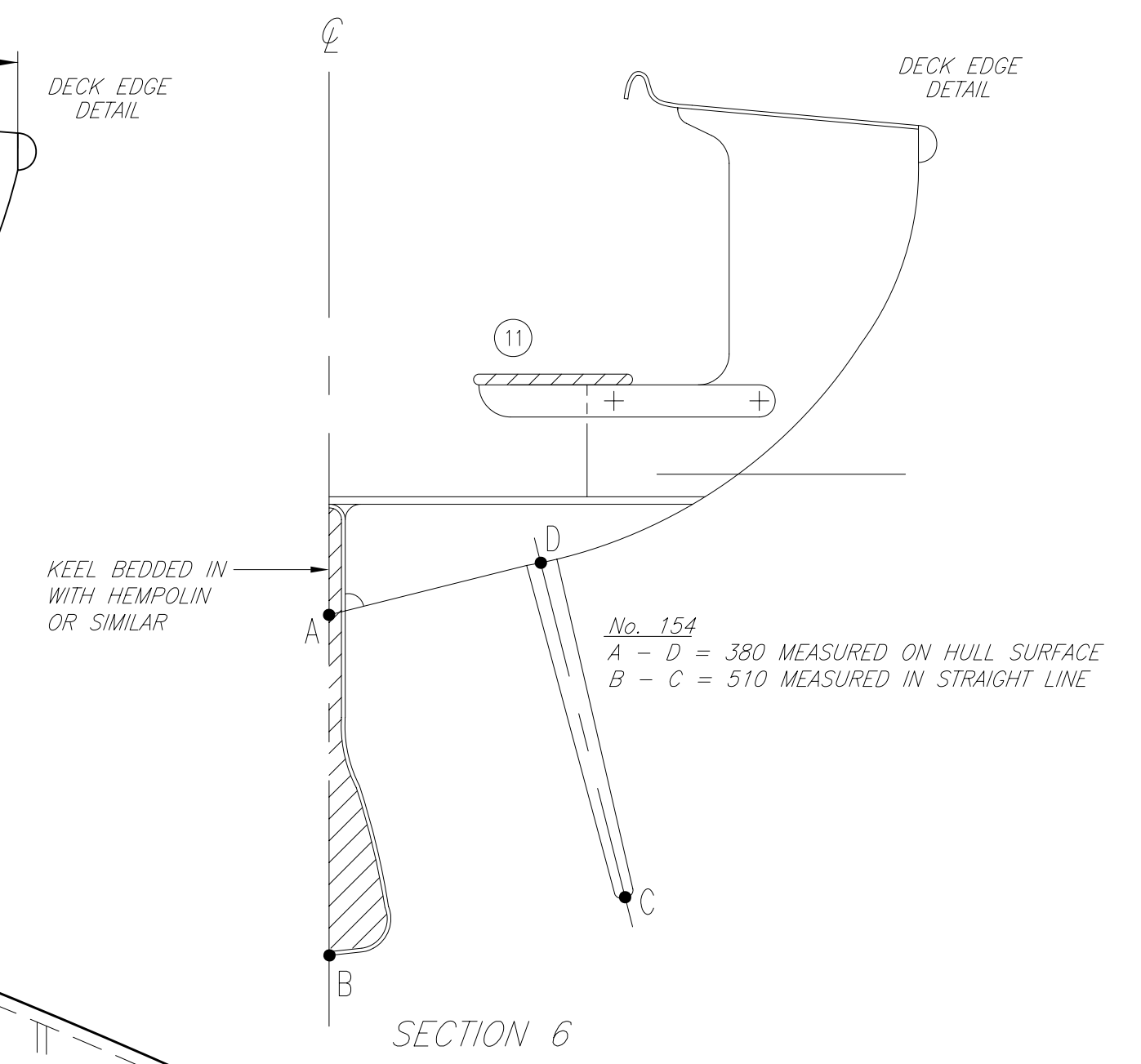
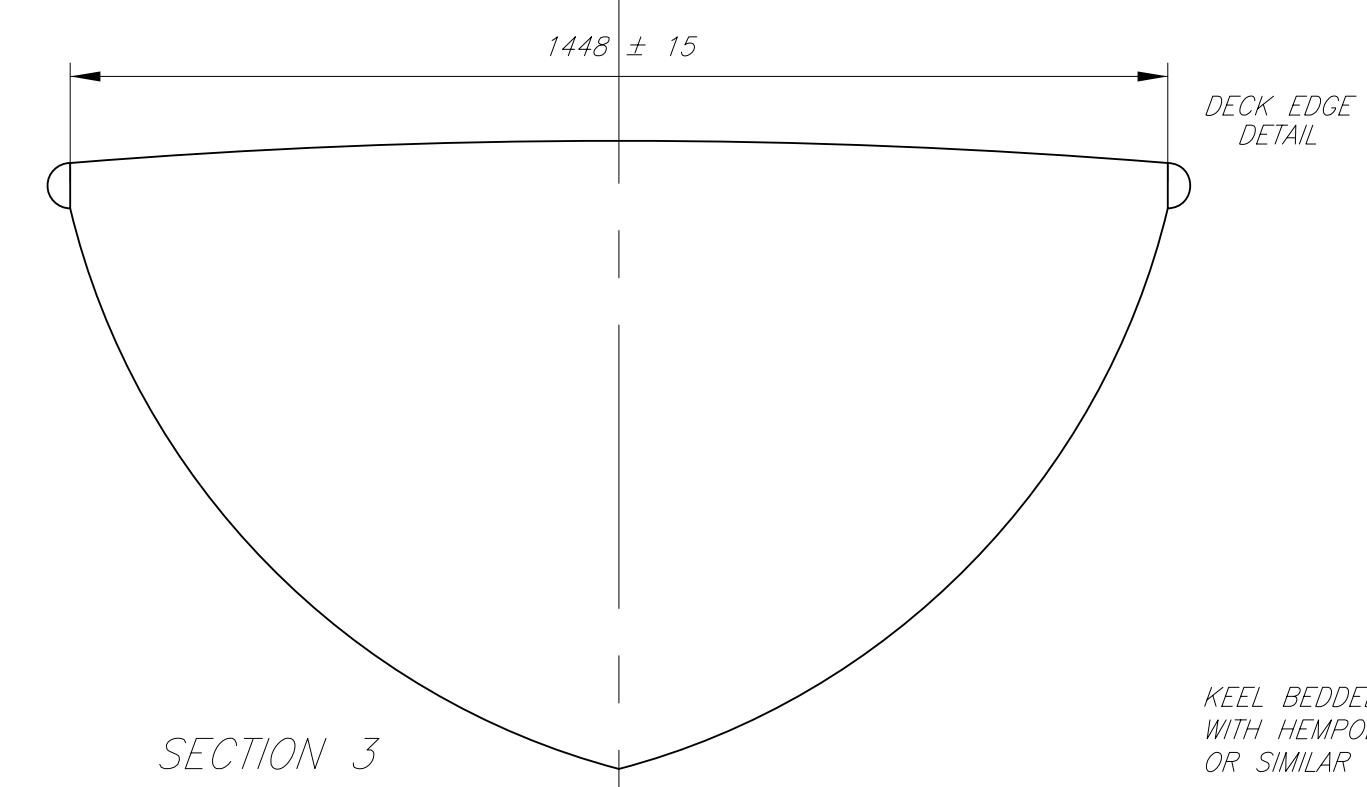
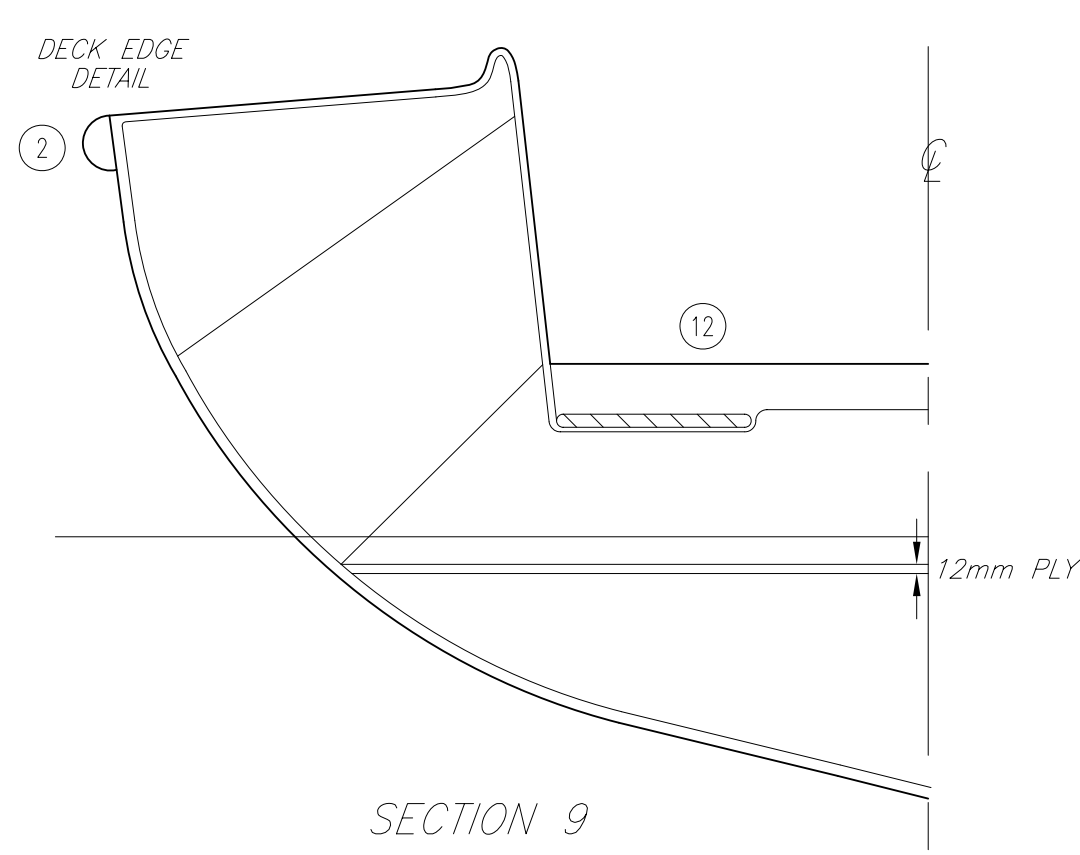
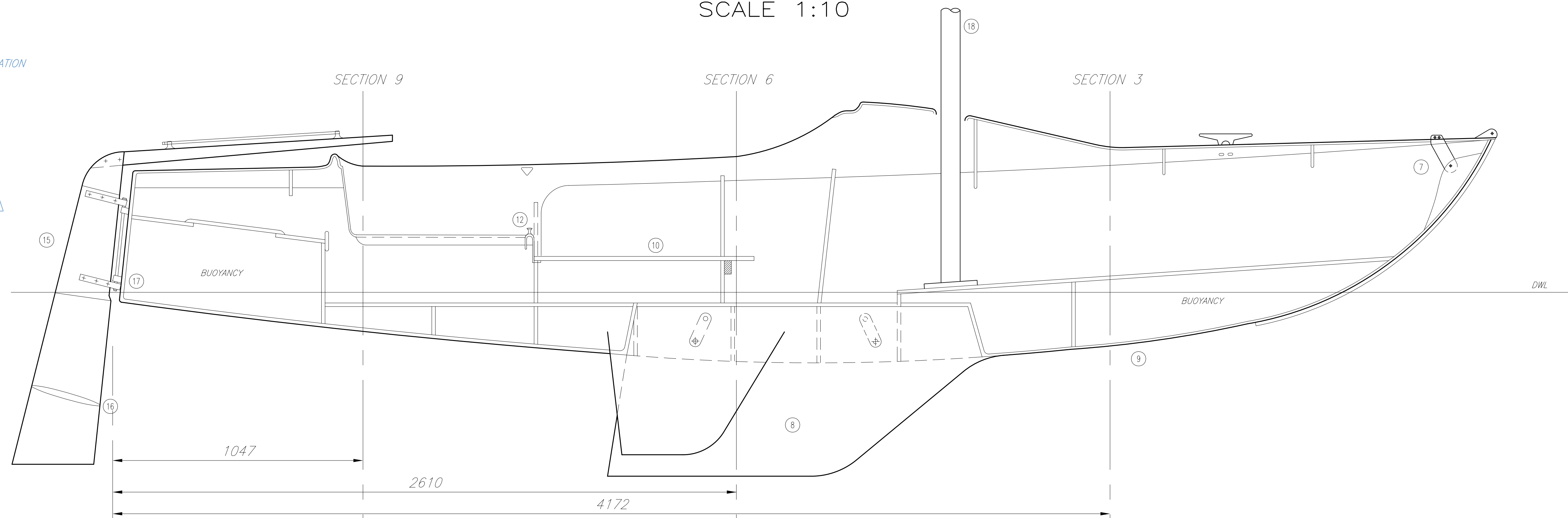
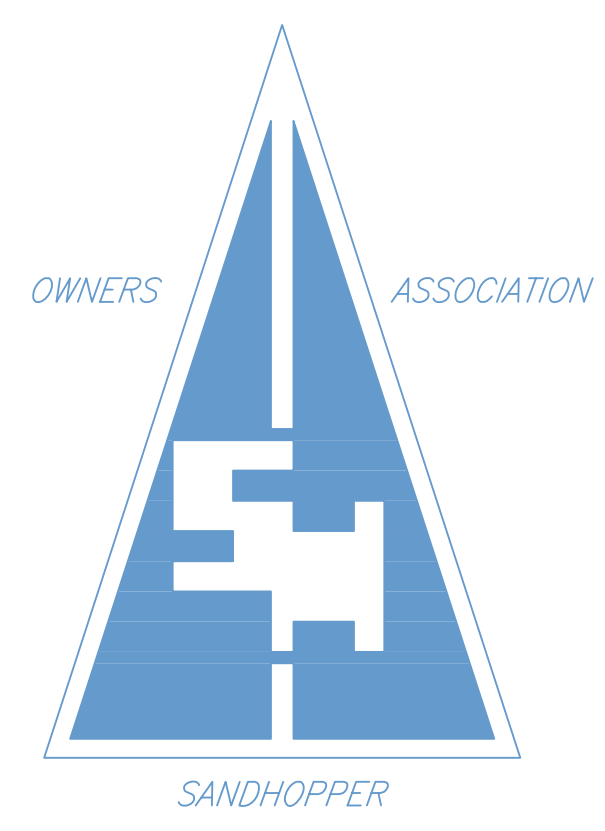


"SANDHOPPER" GENERAL ARRANGEMENT OF HULL AND DECK LAYOUT
SCALE 1:10

EFFECTIVE 1st JANUARY 1973
N.B. HULL MEASUREMENTS DELETED FROM CLASS RULES JULY 1978
RE-ISSUED SEPTEMBER 1997
RE-ISSUED JANUARY 2007



(X) = MEASUREMENT ITEM No.