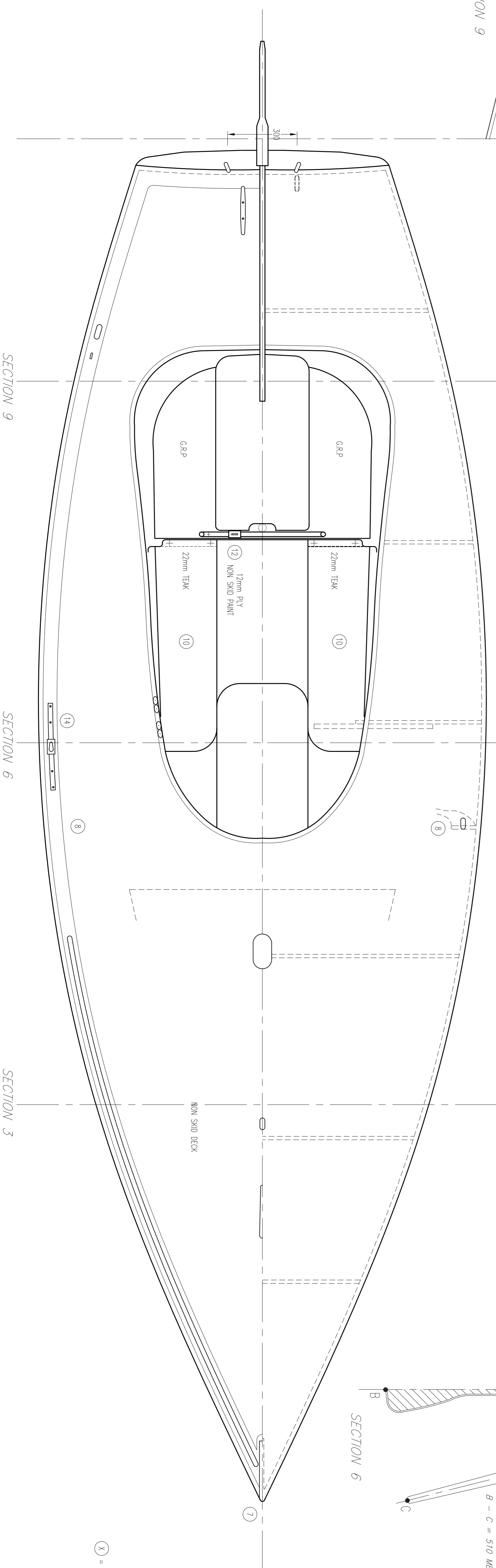
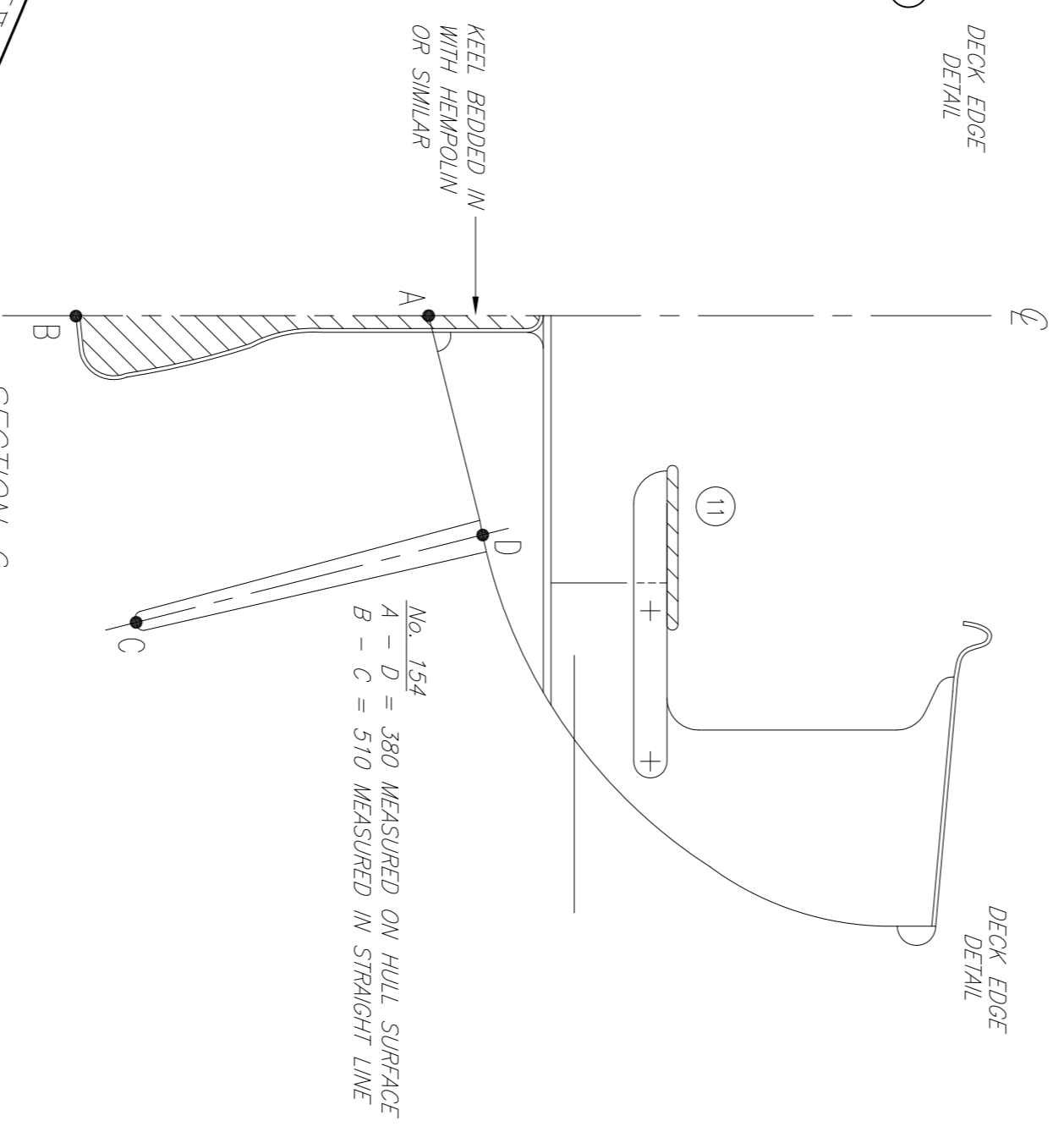
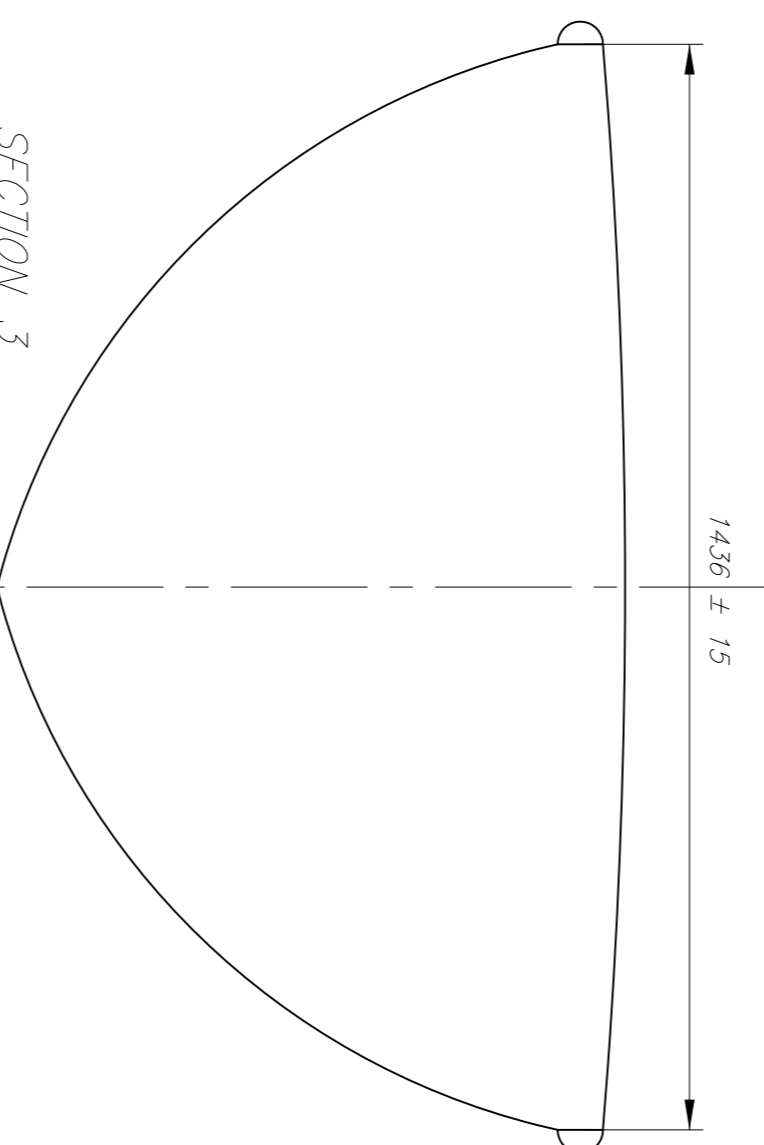
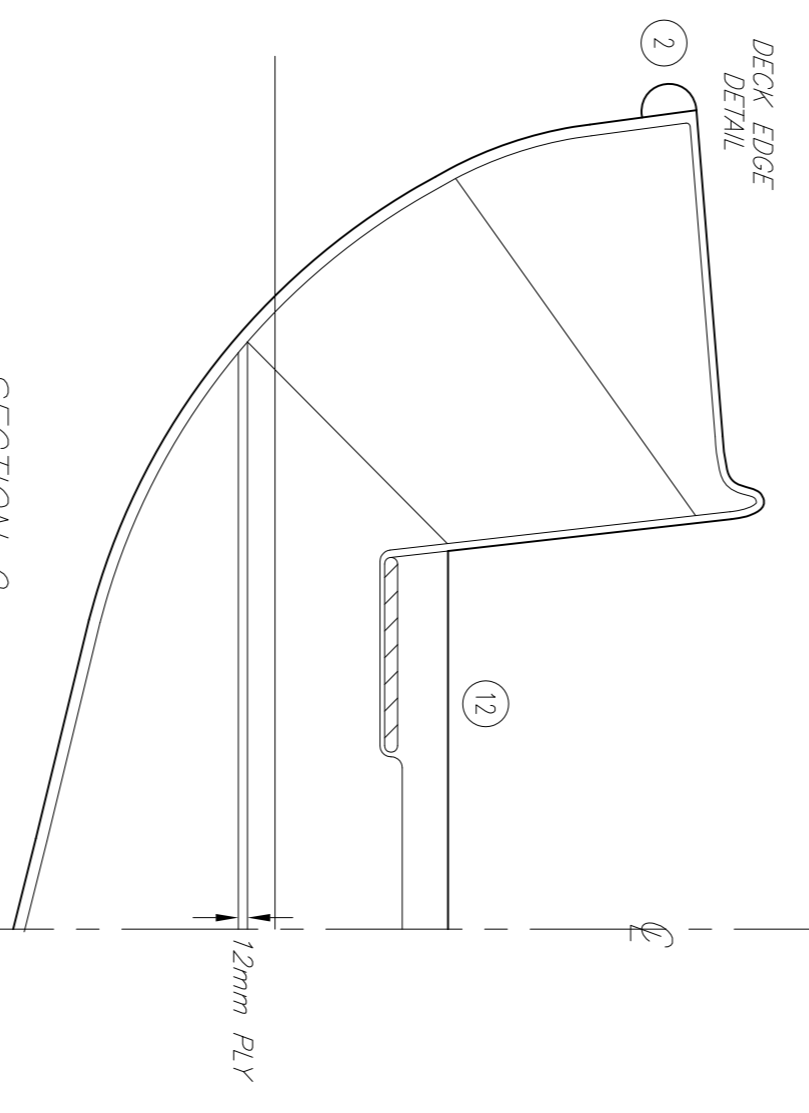
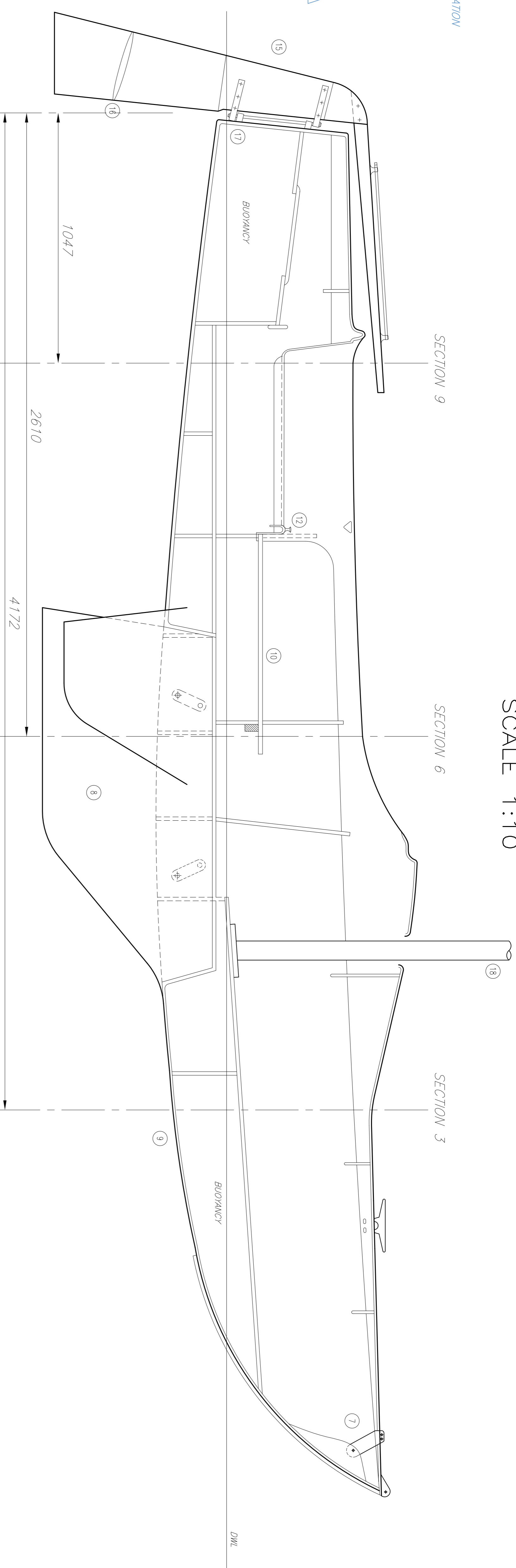


# "SANDHOPPER" GENERAL ARRANGEMENT OF HULL AND DECK LAYOUT

SCALE 1:10

EFFECTIVE 19 JANUARY 1921  
 NAB HULL MEASUREMENTS DELETED FROM CLASS RULES JULY 1978  
 RE-ASSUED SEPTEMBER 1999  
 RE-CLASSIFIED JANUARY 2007



(X) = MEASUREMENT ITEM NO.