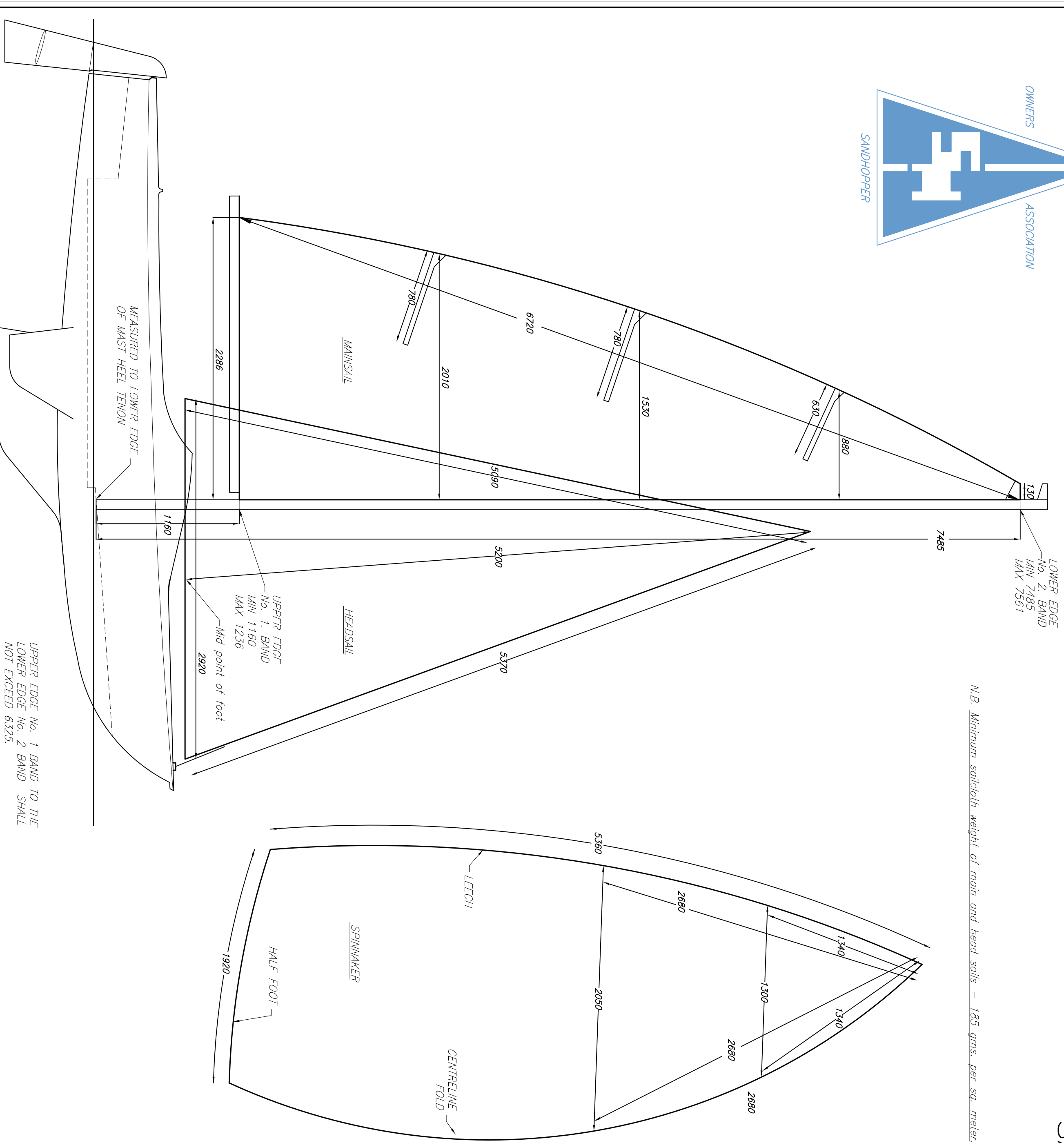


OWNERS ASSOCIATION

SANDHOPPER

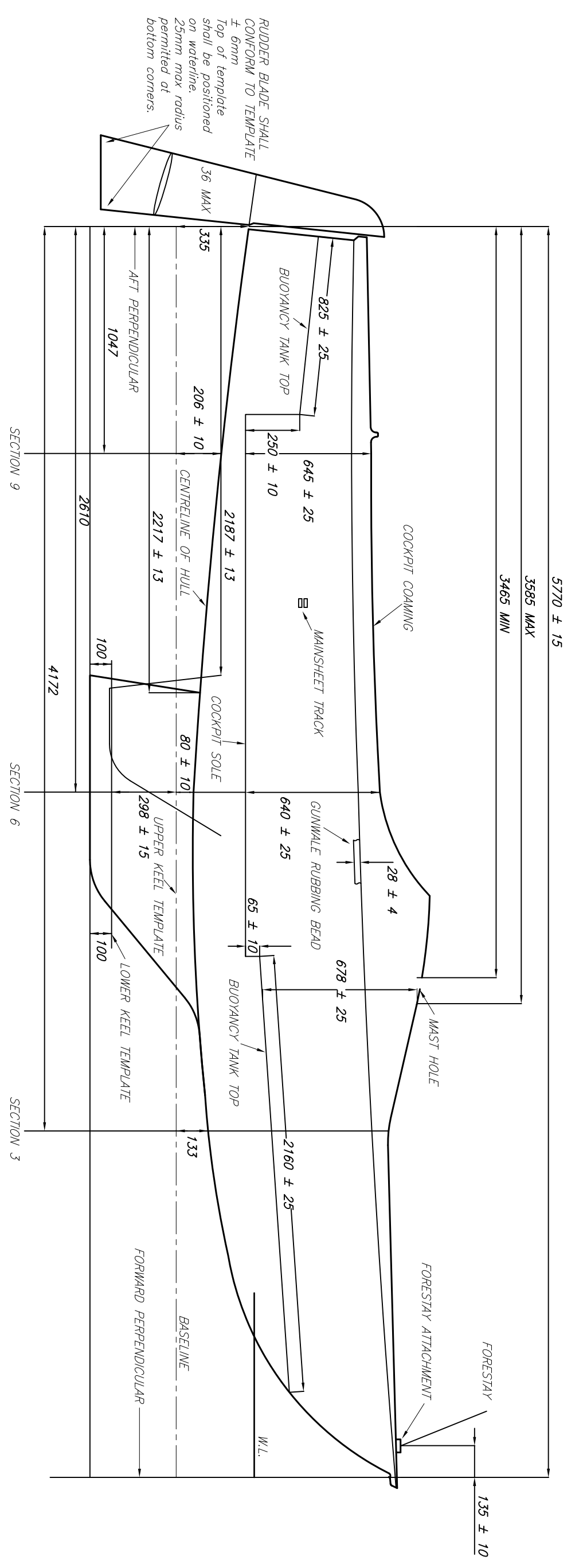


SAIL MEASUREMENT PLAN  
SCALE 1:25

UPPER EDGE No. 1 BAND TO THE LOWER EDGE No. 2 BAND SHALL NOT EXCEED 6325.

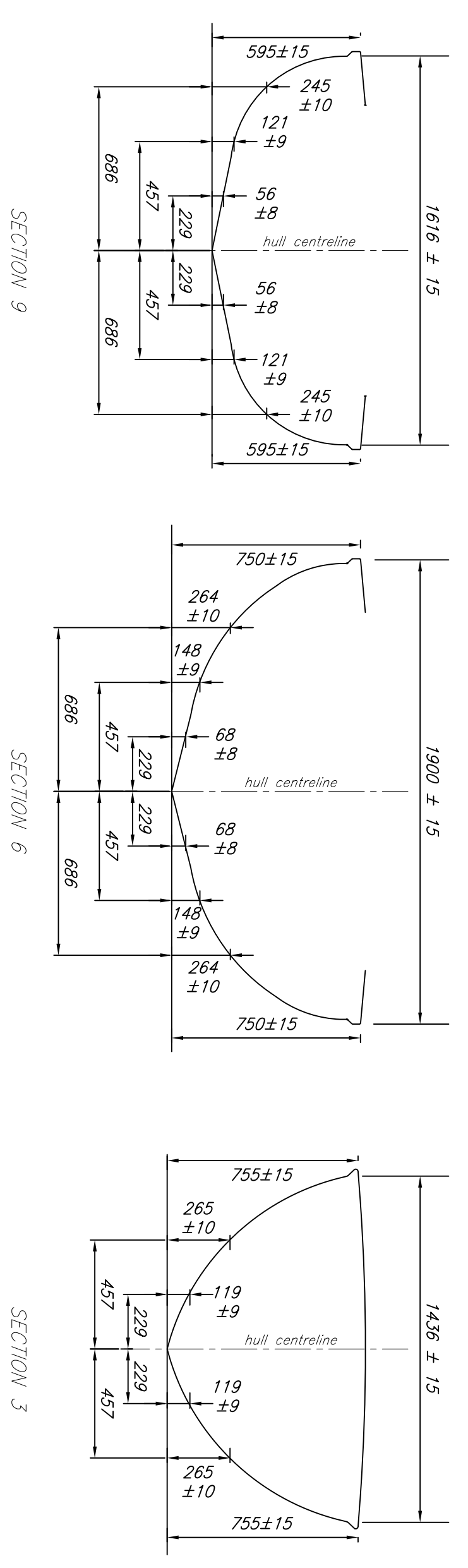
N.B. Minimum sailcloth weight of main and head sails = 185 gms. per sq. meter.

SANDHOPPER ONE DESIGN CLASS MEASUREMENT DIAGRAM



RUBBER BULGE SHALL BE 10mm ± 5mm. Top of template shall be positioned 25mm max radius permitted at bottom corners.

EFFECTIVE 1st JANUARY 1973  
REVISED SEPTEMBER 1997  
AMENDED JANUARY 2009



HULL MEASUREMENT PLAN  
SCALE 1:20

